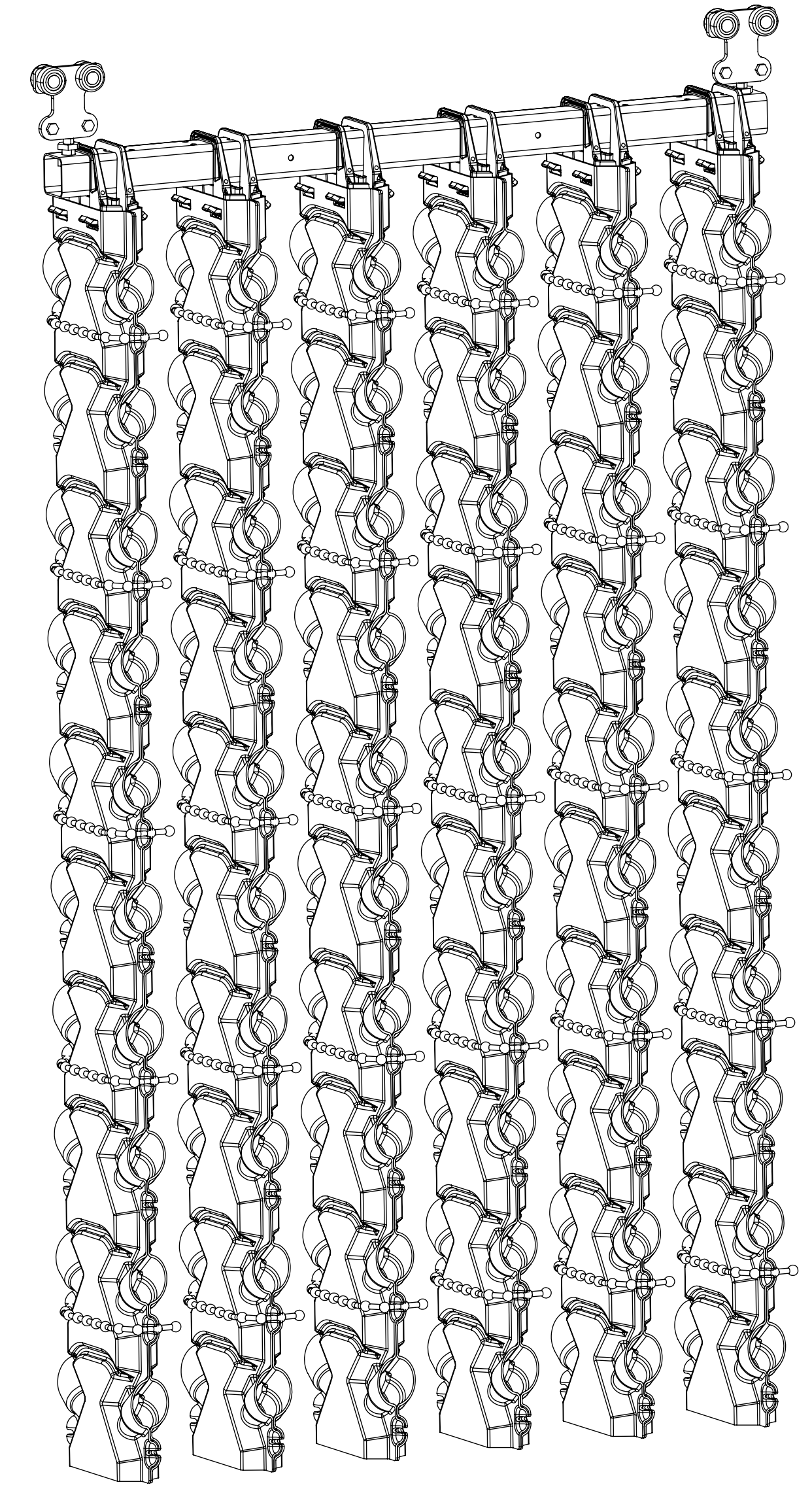
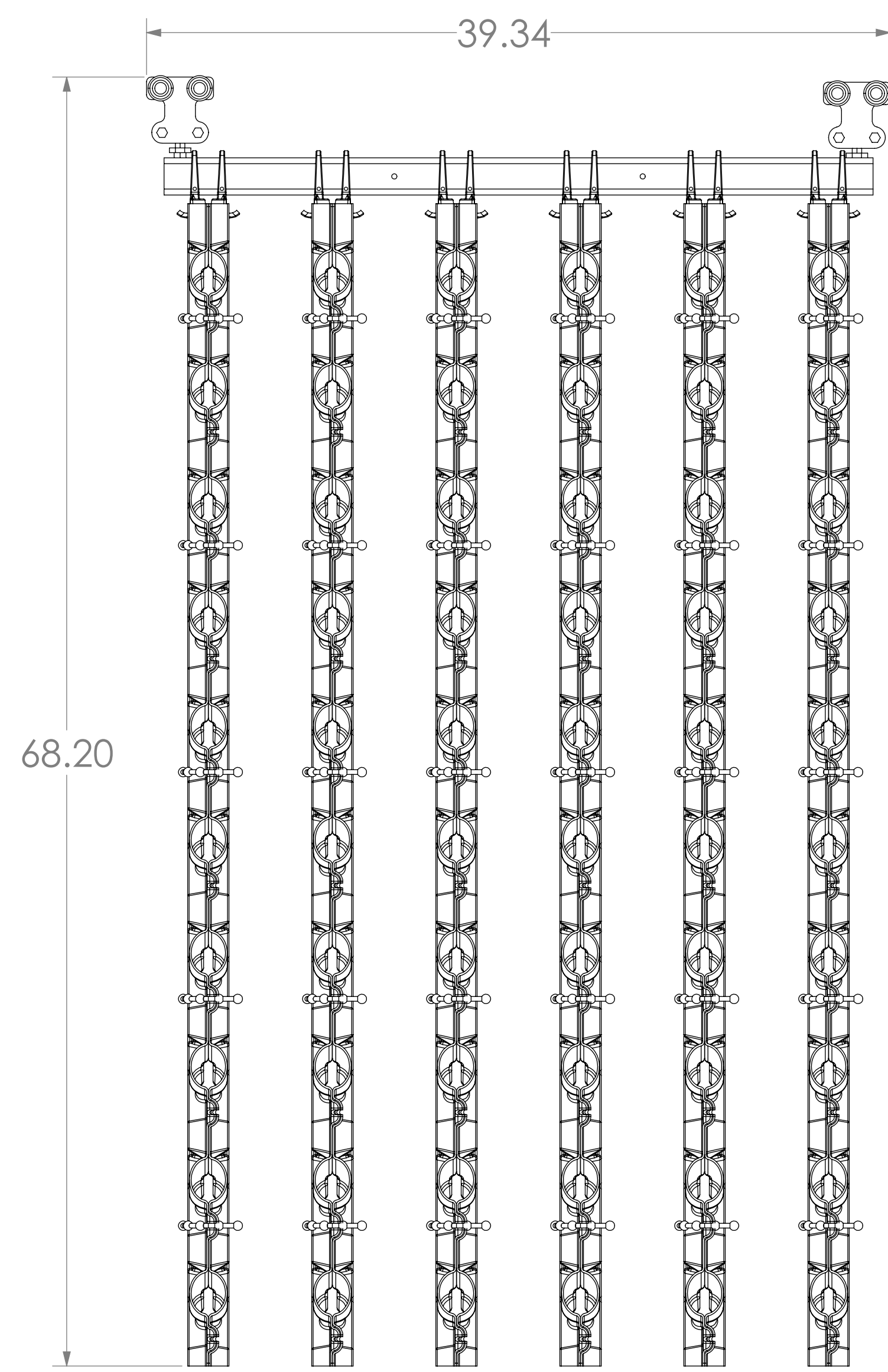
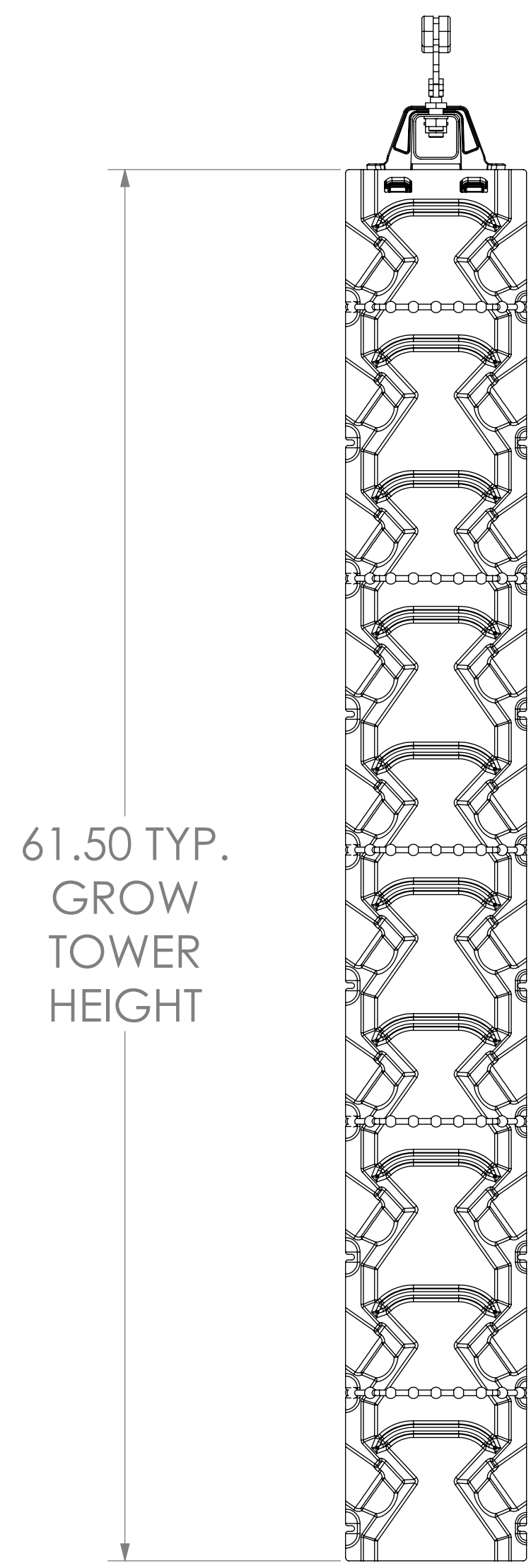
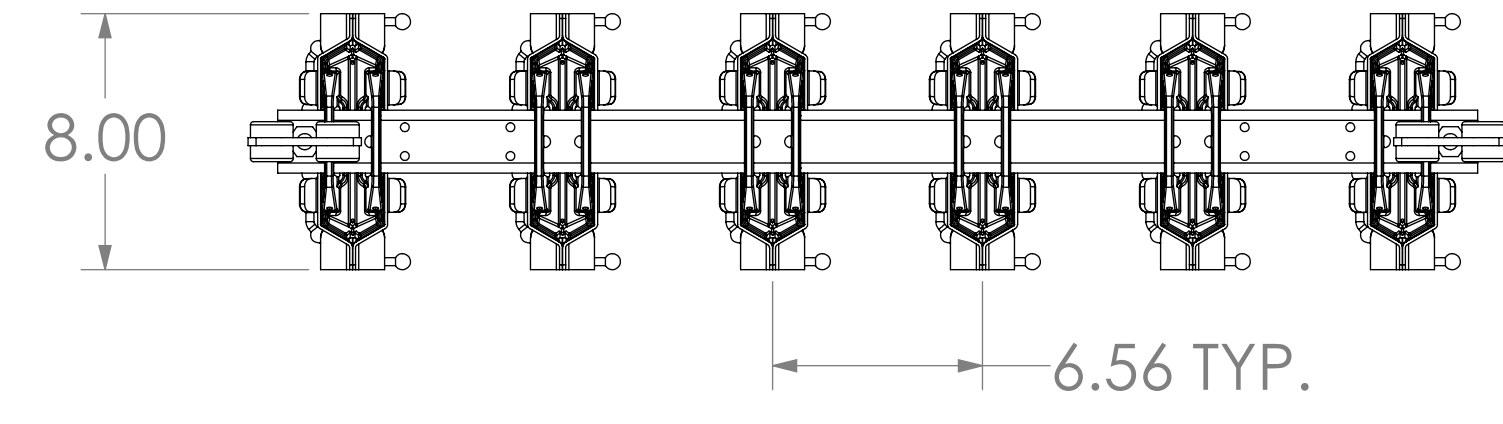


REVISIONS			
LTR	DESCRIPTION	DATE	APPROVAL
-			



ITEM NO.	QTY REQ	PART NUMBER	DESCRIPTION OR NOMENCLATURE	MANUFACTURER
3		24.T14	TROLLEY, FLIGHT BAR	NIKO
2	6	GROW-TOWER	GROW TOWER ASSEMBLY	
1	1	FLIGHT-BAR-01	BAR, FLIGHT	

ALL FINISHED SURFACES UNLESS NOTED BREAK ALL SHARP CORNERS R.010 MAX UNLESS NOTED ALL MARKINGS TO BE FLUSH OR BELOW SURFACE		©2009 CONTRAPTIONS, INC. PROPRIETARY UNLESS OTHERWISE SPECIFIED DIMENSIONS ARE IN INCHES DECIMAL TOLERANCE .XX = ±0.01 .XXXX = ±0.0005 .XXX = ±0.005 FRACTIONAL = ±1/64 ANGULAR TOLERANCE X° = ±1° X' X" = ±0° 30'		CONTR. NO. _____ PREPARER _____ DATE _____ CHECKER _____ DE _____ ME _____ OE _____ RELEASE _____		<b>CONTRAPTIONS, INC.</b> PROVIDENCE, UT <b>COMMERCIAL FLIGHT BAR</b>		
NEXT_ASSY	USED_ON	DIMENSIONING & TOLERANCING PER ASME Y14.5M-1994		SIZE D SCALE 1:6		CAGE CODE _____ DWG NO. FLIGHT-BAR-ASM		
APPLICATION		FORMAT SOLIDWORKS		SHEET 1 OF 2				

THIS DRAWING AND THE INFORMATION THEREIN ARE THE PROPERTY OF CONTRAPTIONS, INC. AND SHALL NOT BE REPRODUCED, COPIED, RECORDED IN ANY MEDIA, USED FOR ANY OTHER PURPOSE OR DELIVERED AND/OR DISCLOSED TO ANY WITHOUT THE CONSENT OF CONTRAPTIONS, INC.



8

7

6

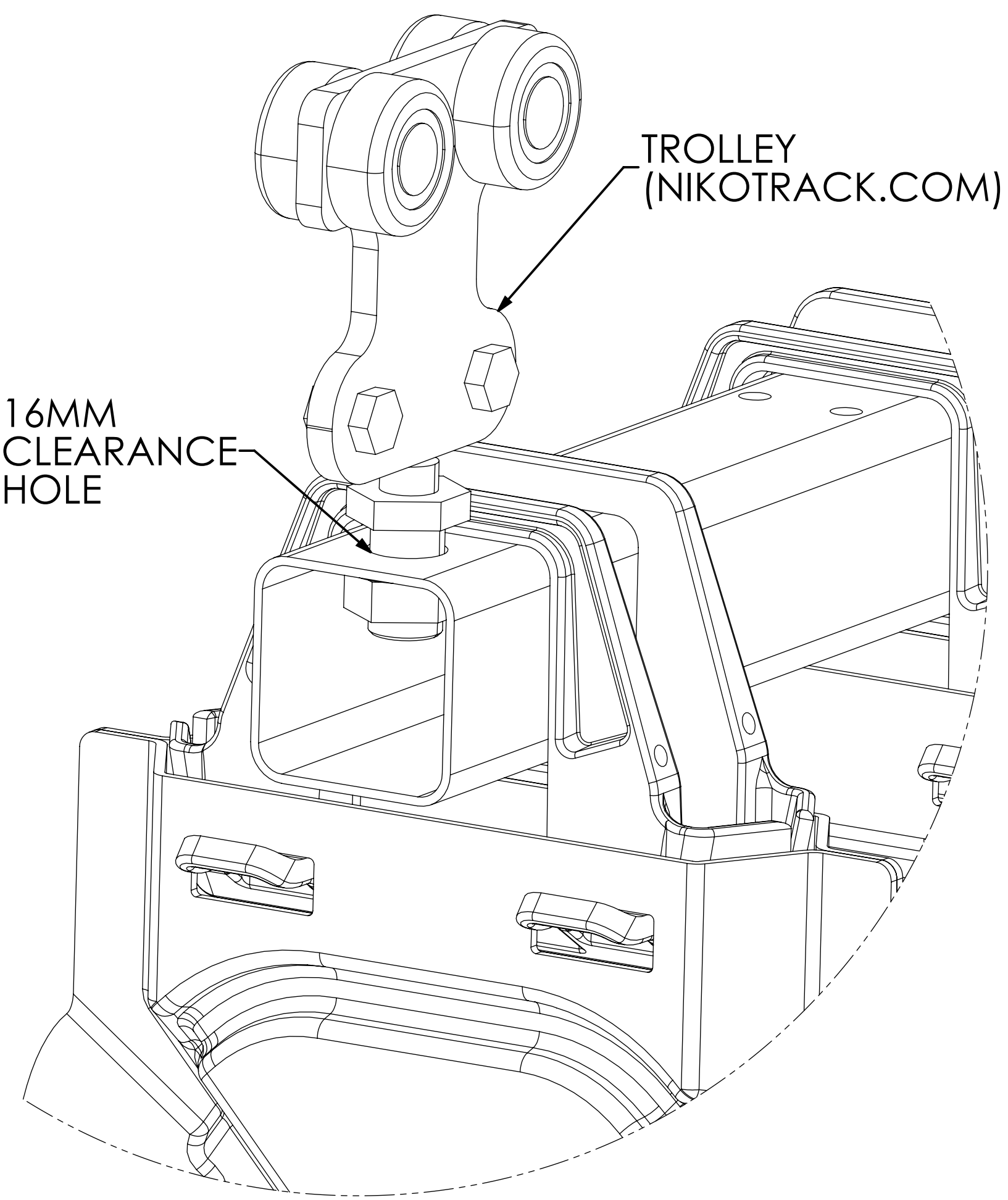
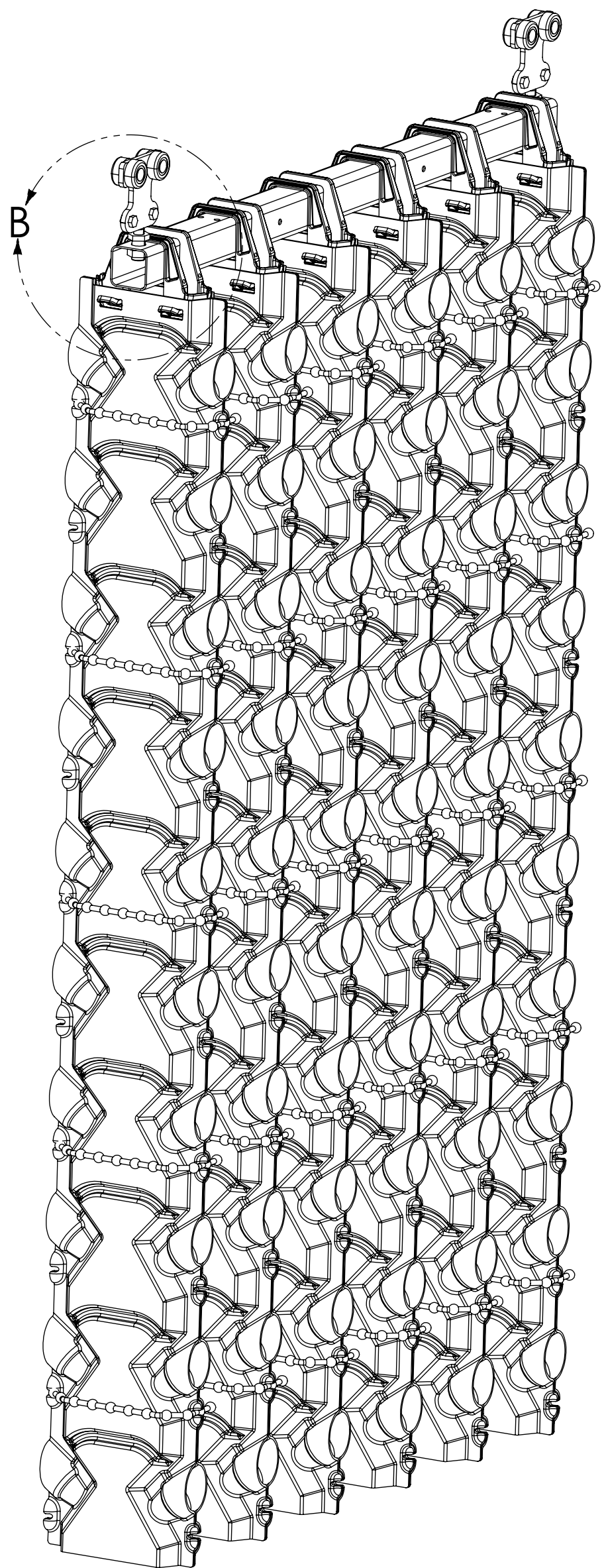
5

4

3

2

1



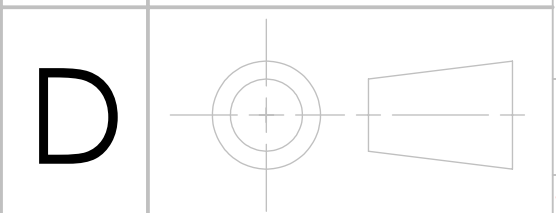
DETAIL B  
SCALE 1 : 1

CONTRAPTIONS, INC. PROPRIETARY  
THIS DOCUMENT AND THE DATA  
DISCLOSED HEREIN OR HEREWITH IS  
NOT TO BE REPRODUCED, USED OR  
DISCLOSED IN WHOLE OR IN PART TO  
ANYONE WITHOUT THE WRITTEN  
PERMISSION OF CONTRAPTIONS, INC.

**CONTRAPTIONS, INC.**  
PROVIDENCE, UT

**COMMERCIAL FLIGHT BAR**

SIZE THIRD ANGLE PROJECTION



SIZE <b>D</b>	CAGE CODE	DWG NO. FLIGHT-BAR-ASM
SCALE 1:12	SHEET 2 OF 2	

8

7

6

5

4

3

2

1

REV B 02/16